

S-QRF/S-QRM ISO 'B' SERIES

**316 ISO 'B' STAINLESS STEEL PULL BREAK
COUPLINGS STAINLESS STEEL**

1/4" - 1" Poppet Valve Type
Manufactured to ISO 7241 Series 'B'

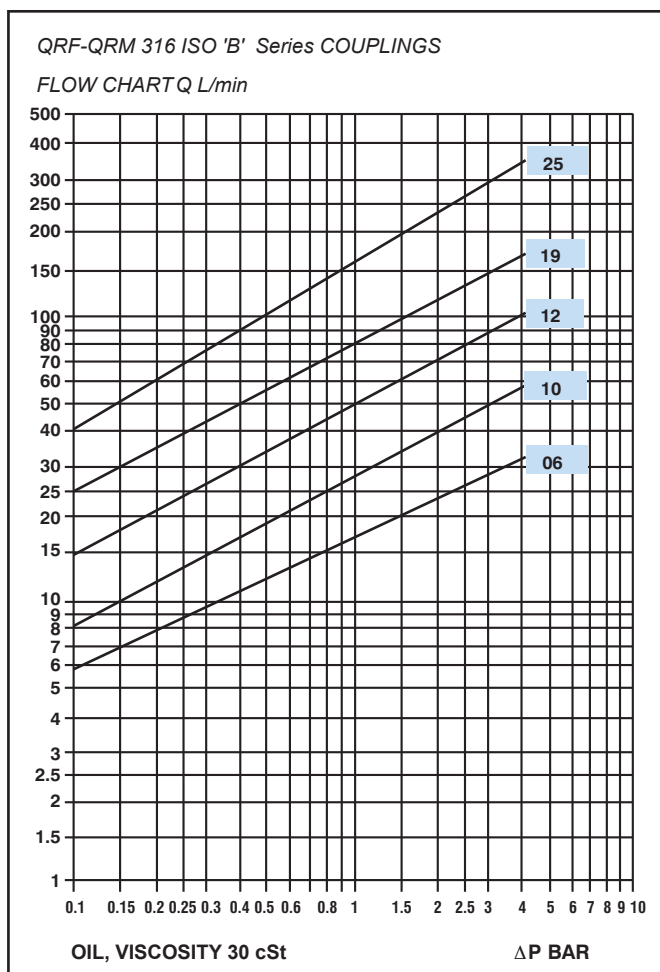
INTRODUCTION

These couplings are suited for use in corrosive environments and/or operation of corrosive fluids.

The common applications include:

- Offshore
- Marine
- Food processing and manufacture
- Machine tool/automation
- Oil refineries
- Chemicals and pharmaceuticals
- Steel mills

PRESSURE DROP FLOW CHART



BENEFITS OF HOLMBURY 316 ISO 'B' COUPLERS

Material AISI 316 stainless steel with viton seals. The locking ball system ensures positive quick connection.

When these couplers are connected the male and female halves are able to rotate, even under pressure, thus avoiding any stress created by the twisting of flexible hoses.

Due to the specially machined oil passages and the Poppet valves having balanced springs, it reduces pressure drop.

The Poppet valve seals also have shockproof protective edges.

MATERIAL CONSTRUCTION

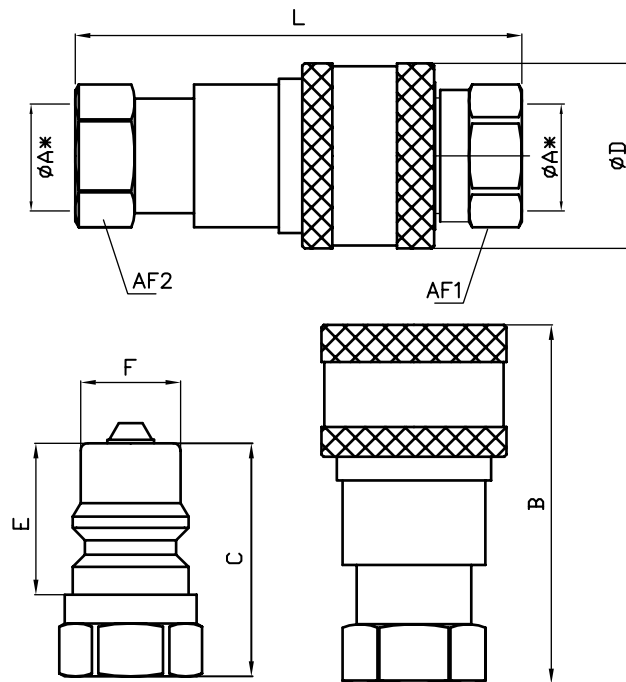
Manufactured from AISI 316 stainless steel, viton seals and Teflon backing rings.

ISO 'B' 316 TESTS

Life - 1,000,000 cycles from 0 - 250 bar at a frequency of 1Hz.



ISO 'B' 316 STAINLESS STEEL SERIES DATA SHEET



DATA SHEET

Body size	ND	Maximum operating pressure (bar)	ØA*	AF1	AF2	A	B	C	ØD	E	F	L
06	6.3	300	1/4"	19	19	13	58	22.8	28.5	36	14.1	72
10	10	250	3/8"	24	24	13	65	25	35	40	19	81
12	12.5	250	1/2"	28.5	28.5	20.5	74	28	44.5	46.5	23.5	93.5
19	20	230	3/4"	36	36	22	92	36	54	56	31.4	113
25	25	230	1"	41	41	23	103	45	63.5	63	37.7	127

A* = inch size BSP

Dimensions in mm

